



General Description

TRUE COLOR's high performance Edge Lit LED ceiling panels combine architectural form and versatility to make it an excellent choice for new construction or retrofit applications. The 120LM/W series panels are offered in a variety of color temperatures and wattages for flexibility in all types of applications. The edge lit design produces an evenly illuminated glow. Very low temperature operation saves on HVAC costs and long life greatly reduces maintenance costs.

Features

- High Output LED's, up to 115-120lm/W, LM80 certified light source
- High CRI >85
- TUV UL CE SAA CB certificate, High PF>0.96 low THD driver
- Flicker free (different brand optional)
- Environmentally friendly, no mercury, No UV, No IR
- Polyester powder coated frame with white finish.
- IP44, indoor using
- Energy Efficiency Grade: A+
- Quick Start instant 100% luminous flux
- 3 Year Warranty on complete fixture. (LED's, Driver, & Housing)
- Certificate: CE, RoHS
- Optional: 1-10V Dimming, MW Sensor, 3h Emergency Battery Backup

Applications

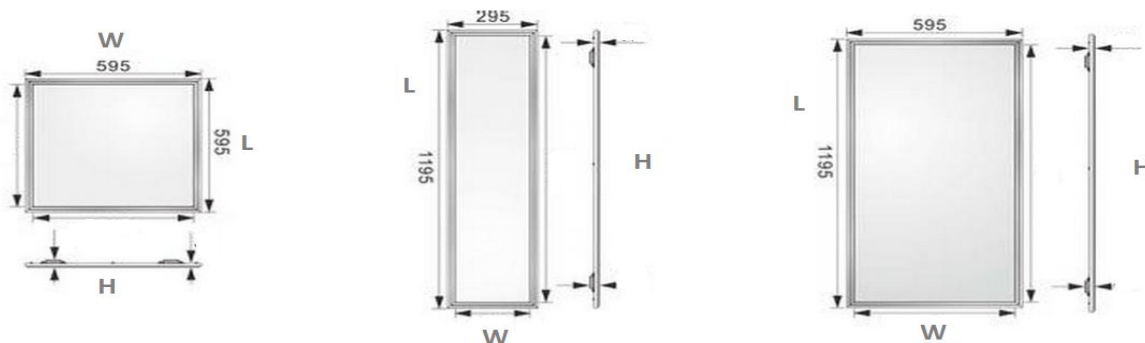
- Office Lighting
- School Lighting
- Healthcare Lighting
- Workshops
- Supermark

- Hanging mount accessories available

Electrical and Technical Data

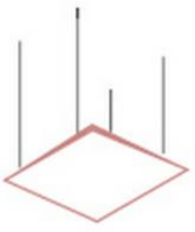
Model No	YS-PL06601-30W	YS-PL06601-40W	YS-PL12301-30W	YS-PL12301-40W	YS-PL12601-60W
Input Power	30W	40W	30W	40W	60W
Dimension	595*595*9mm	595*595*9mm	1195*295*9mm	1195*295*9mm	1195*595*9mm
CCT	3000-6000K	3000-6000K	3000-6000K	3000-6000K	3000-6000K
CRI	>85	>85	>85	>85	>85
Power Factor	>0.9	>0.9	>0.9	>0.9	>0.9
IP Grade	IP44	IP44	IP44	IP44	IP44
Input Voltage	200-240V	200-240V	200-240V	200-240V	200-240V
Luminous	120lm/W	120lm/W	110lm/W	110lm/W	110lm/W
Beam Angle	120 °	120 °	120 °	120 °	120 °
Working Temp	-20 ° -50 °	-20 ° -50 °	-20 ° -50 °	-20 ° -50 °	-20 ° -50 °
Warranty	5 Years	5 Years	5 Years	5 Years	5 Years
Lifespan	50000H	50000H	50000H	50000H	50000H

Product Dimension&Package Details

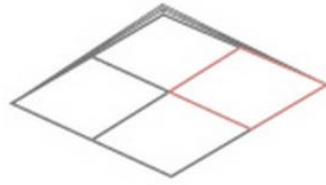


Model	L(Norm)	W(Norm)	H(Norm)	N.W/PC	G.W/PC	Qty/CTN	Size/CTN
YS-PL606001-30W	595mm	595mm	9mm	3.6KG	4.5KG	6PCS/CTN	660X205X670mm
YS-PL606001-40W	595mm	595mm	9mm	3.6KG	4.5KG	6PCS/CTN	660X205X670mm
YS-PL12301-30W	1195mm	295mm	9mm	3.6KG	4.5KG	4PCS/CTN	1260X145X360mm
YS-PL12301-40W-	1195mm	295mm	9mm	3.6KG	4.5KG	4PCS/CTN	1260X145X360mm
YS-PL12601-60W-	1195mm	595mm	12.5mm	8.0KG	9.0KG	4PCS/CTN	1360X145X660mm

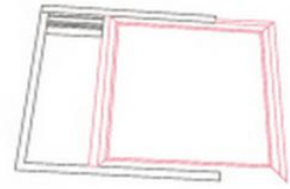
Installation



Suspending



Built-in



Ceiling Mounted

TRUE COLOR TECHNOLOGY CO., LTD

Contact person: Bruce.LEI

Tel: 0755-32910117

E-mail: bruce@truecolorlighting.com

ADD: 4 floor, F building, Yongtang Industrial Park, Tong Tau community, Guangming New District, Shenzhen